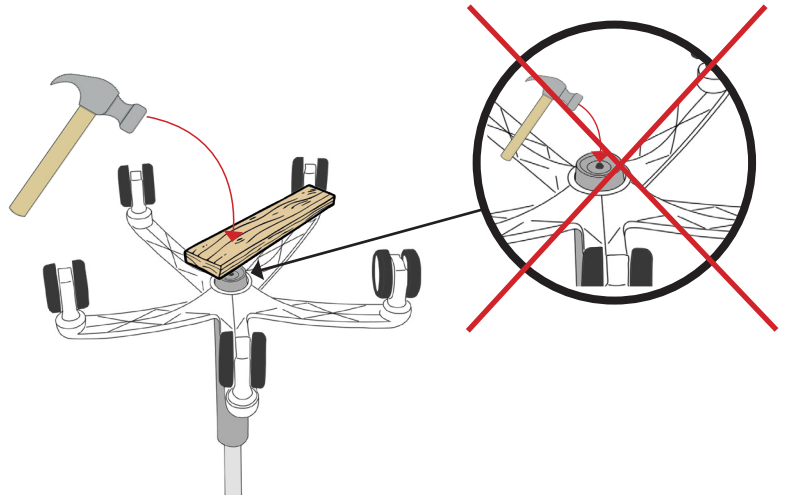
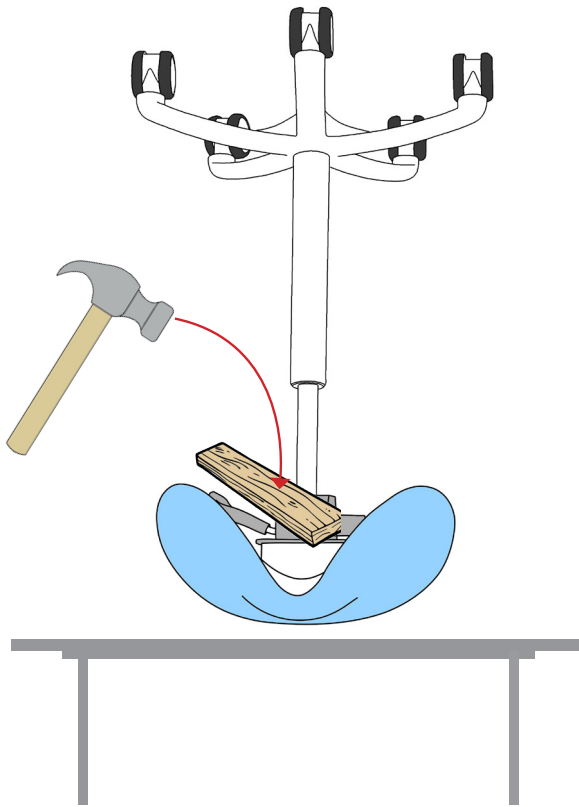
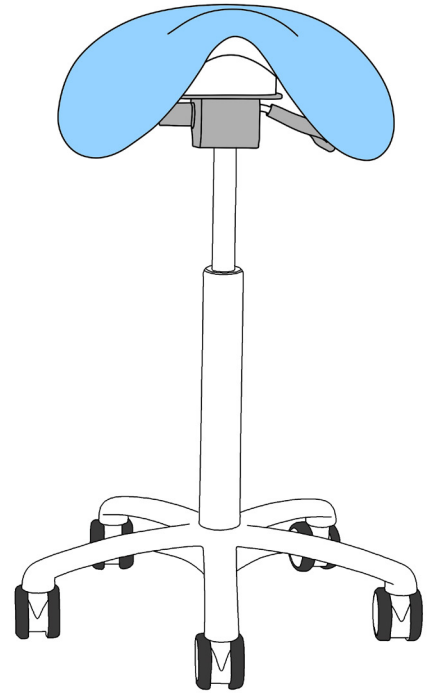
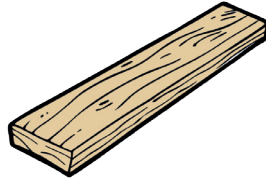
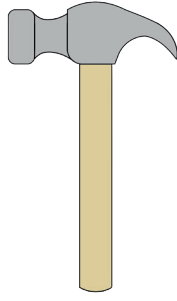


Saddle



Support
design