

Product information

AKKA

A traditional style chair with the benefits of a modern, ergonomic design. Fully adjustable with tilt and height functionality. Comfortable backrest combined with a shallow bowl-shaped seat.

Description

Seat height	44–84 cm
Seat dimensions	41x44 cm
Backrest dimensions	26x40 cm
Gas column options	3
Base Diameter	60 cm
Adjustable seat	Yes
Upholstery	Scandinavian leather, vinyl or fabric
Weight	14 kg
Max. load	130 kg
Warranty	5 years



Accessories

Armrest RELAX2D	Relieves back and shoulder pressure and allows full 360° movement
Mini SWING	A high quality armrest that can swivel around your seat
Footring	Foot rest while working in high chair positions
Foot control	Foot operated height adjustment

Seat height

User height	Gas spring	Seat height
150–180 cm	Standard	47–61 cm
180–190 cm	High	55–74 cm
> 190 cm	Extra High	61–87 cm

Key Features

Mechanism

Four lever spring adjusted mechanism allows for adjustable height and up to 15° lateral movement.

Seat and back

The frame is made with wood and moulded foam. The backrest frame is made from wood.

Padding

Seat and back are upholstered with flexible polyurethane foam, recyclable when using a certain process.

Upholstery

Our standard vinyl contains 100% polyurethane with cotton and polyester backing. It is PVC and Phthalate free. It is also Oeko-tex certified.

Grain leather from Scandinavian cattle is used and the leather is produced by the highest environmental standards in state of the art facilities in Sweden.

Our standard fabrics are Oeko-Tex 100 certified

Gas spring

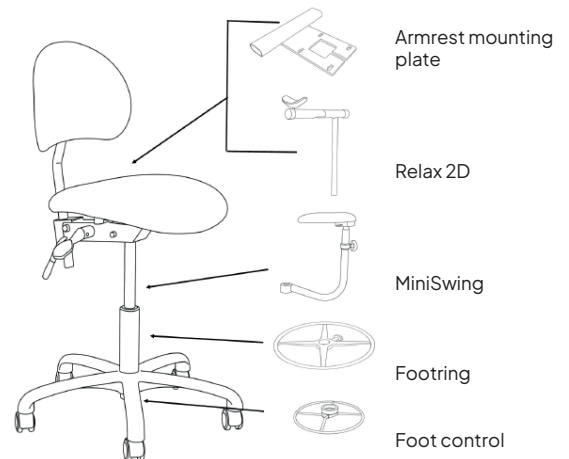
Columns are available in three sizes. The spring is made of polished steel in Germany using nitrogen, a sustainable gas existing in 78% of normal air. Gas springs are maintenance-free and recyclable.

Base

Polished recyclable aluminium. (Note: larger castor base is required when using SWING support arm).

Castors

Cores are made from polyamide 6 and tread is made of recyclable polyurethane.



Support
design