

Prisma Core+

Minimalist design combines premium quality with a comfortable round seat. This stool is perfect for shorter procedures and features a height-adjust mechanism under the seat.

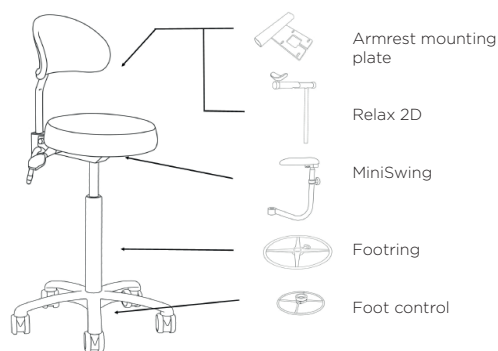
Description

Seat height	46–86 cm
Seat dimensions	34 cm
Backrest dimensions	18x34 cm
Gas column options	3
Base Diameter	50 cm
Adjustable seat	Yes, 15°
Upholstery	Scandinavian leather, vinyl or fabric
Weight	10 kg
Max. load	130 kg



Accessories

Armrest RELAX2D	Relieves back and shoulder pressure and allows full 360° movement
Mini SWING	A high quality armrest that can swivel around your seat
Footring	Foot rest while working in high chair positions
Foot control	Foot operated height adjustment



Seat Heights

User height	Gas spring
< 160 cm	Standard
160–175 cm	High
> 175 cm	Extra High

Seat height	Seat height with SWING
46–60 cm	51–60 cm
54–73 cm	59–73 cm
60–86 cm	65–86 cm

Key Features

Mechanism

Four lever spring adjusted mechanism allows for adjustable height and up to 15° lateral movement.

Seat

The frame of the seat is made of wood. The backrest frame is made of vacuum formed recycled polypropylene (PP) and polyethylene (PE)

Padding

The saddle is upholstered with flexible polyurethane foam, recyclable when using a certain process.

Upholstery

Our standard vinyl contains 100% polyurethane with cotton and polyester backing. It is PVC and Phthalate free. It is also Oeko-tex certified.

Grain leather from Scandinavian cattle is used and the leather is produced by the highest environmental standards in state of the art facilities in Sweden.

Our standard fabrics are Oeko-Tex 100 certified

Gas spring

Columns are available in three sizes. The spring is made of polished steel in Germany using nitrogen, a sustainable gas existing in 78% of normal air. Gas springs are maintenance-free and recyclable.

Base

Polished recyclable aluminium. (Note: larger castor base is required when using SWING support arm).

Castors

Cores are made from polyamide 6 and tread is made of recyclable polyurethane.



Support
design