

Statera XL Oval

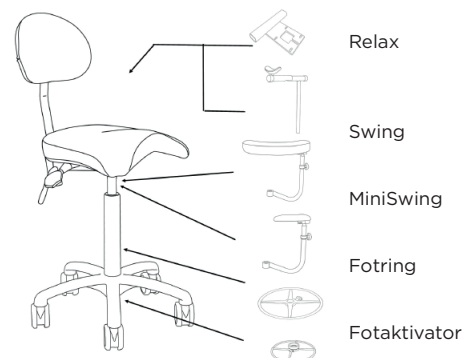
The Statera features a mix of conventional seating and saddle seating. A very comfortable seat with the best out of two worlds.

Description

Seat height	46–86 cm
Seat dimensions	41x44cm
Backrest dimensions	19x33cm
Gas column options	3
Caster options	Yes
Base Diameter	50 cm
Adjustable seat	No
Upholstery	Scandinavian leather, vinyl or fabric
Weight	13kg
Max. load	130 kg

Accessories

Armrest RELAX2D	Relieves back and shoulder pressure and allows full 360° movement
Mini SWING	A high quality armrest that can swivel around your seat
SWING armrest	Arm rest that doubles as a back and abdominal support. Can swivel 360° for complete freedom and versatility
Footring	Foot rest while working in high chair positions
Foot control	Foot operated height adjustment



Seat Heights

User height	Gas spring	Seat height	Seat height with SWING
< 160 cm	Standard	46–60 cm	51–60 cm
160–175 cm	High	54–73 cm	60–73 cm
> 175 cm	Extra High	60–86 cm	65–86 cm

Key Features

Mechanism

The mechanism is a 4-lever steel mechanism, using friction plates to adjust seat tilt and springs for back tilt.

Seat and back

Seat and backrest frame is made from wood.

Padding

Seat and back are upholstered with flexible polyurethane foam, recyclable when using a certain process.

Upholstery

Our standard vinyl contains 100% polyurethane with cotton and polyester backing. It is PVC and Phthalate free. It is also Oeko-tex certified.

Grain leather from Scandinavian cattle is used and the leather is produced by the highest environmental standards in state of the art facilities in Sweden.

Our standard fabrics are Oeko-Tex 100 certified

Gas spring

Columns are available in three sizes. The spring is made of polished steel in Germany using nitrogen, a sustainable gas existing in 78% of normal air. Gas springs are maintenance-free and recyclable.

Base

Polished recyclable aluminium.

Castors

Cores are made from polyamide 6 and tread is made of recyclable polyurethane.



Support
design