

# SUPPORT

The bowl-shaped seat and sculpted backrest comfortably supports your back and shoulders, and the free-float functionality ensures intuitive manoeuvrability as the seat follows your every move.

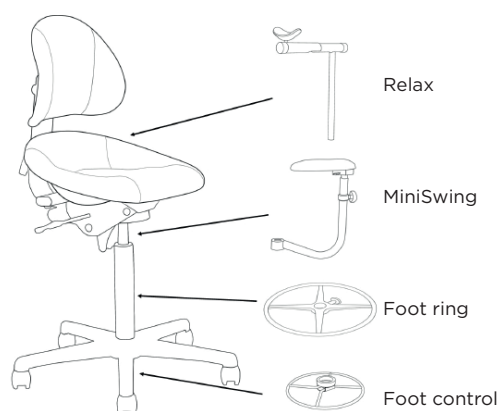
## Description

Seat height	45–85 cm
Seat dimensions	45x44 cm
Backrest dimensions	27x35 cm
Gas spring options	Yes, 3
Base diameter	60 cm
Alternative gas springs	Yes 3
Upholstery	Scandinavian leather, vinyl or fabric
Weight	15 kg
Max. load	120 kg
Warranty	5 years



## Accessories

Armrest RELAX2D	Relieves back and shoulder pressure and allows full 360° movement
Mini SWING	A high quality armrest that can swivel around your seat
Foot ring	Foot rest while working in high chair positions
Foot control	Foot operated height adjustment



## Seat Heights

User height	Gas column	Seat height
150–180 cm	4FH	45–59 cm
180–190 cm	4C	53–72 cm
> 190 cm	4A	59–85 cm

## Key Features

### Mechanism

Single lever asynchronous mechanism, seat pan and back support move independently from each other. Made from powder coated steel and recyclable plastic.

### Seat

Made with 100% recyclable, injection moulded plastic (PA6).

### Padding

Seat and back are upholstered with flexible polyurethane foam, recyclable when using a certain process.

### Upholstery

Our standard vinyl contains 100% polyurethane with cotton and polyester backing. It is PVC and Phthalate free. It is also OEKO-TEX certified, which means that the upholstery is easy to clean, and resistant to disinfectants and common cleaning product.

### Gas spring

Columns are available in three sizes. The spring is made of polished steel in Germany using nitrogen, a sustainable gas existing in 78% of normal air. Gas springs are maintenance-free and recyclable.

### Base

Polished recyclable aluminium.

### Castors

Cores are made from polyamide 6 and tread is made of recyclable polyurethane.



Support  
design